

RAMSES 718 S KNX

Item no.: 7189200

KNX

Heizungs- und Klimaregelung

Description

- Individual room thermostat
- For controlling heating actuators or motorised actuators
- Without controls directly on the thermostat
- Can be used as a continuous or two point control (can also be combined)
- Temperature sensor can be connected to give remote temperature reading
- Objects for night operation (only with "old" operation mode selection) presence, window/frost
- LED (red) for heating mode, (blue) for cooling mode
- 4 binary inputs for conventional switches/sensors (switch/sensor, dimmer, blinds, valuator, LED control)



Technical data

RAMSES 718 S KNX	
Operating voltage KNX	Bus voltage, ≤ 12 mA
Type of connection	Bus connection: KNX bus terminal Sensor connection: Terminal screws
Installation type	Surface-mounted
Display	LEDs
Interface extension max.	30 m
Ambient temperature	5°C ... 40°C
Measuring range temperature	-5°C ... 45°C

RAMSES 718 S KNX	
Setting range temperature	10°C ... 30°C
Contact voltage	5 V Internal provided
Contact current	0.5 mA
Number of inputs	4
Type of protection	IP 20
Protection class	III according to EN 60 730-1

Subject to technical changes and misprints

additional information at: www.theben.de/product/7189200

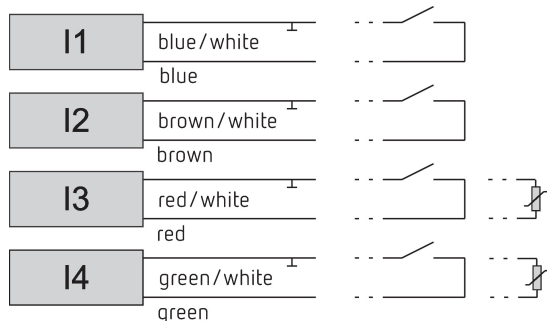
The load data are determined with exemplary selected illuminants and are therefore typical data due to the large number of available products.

RAMSES 718 S KNX

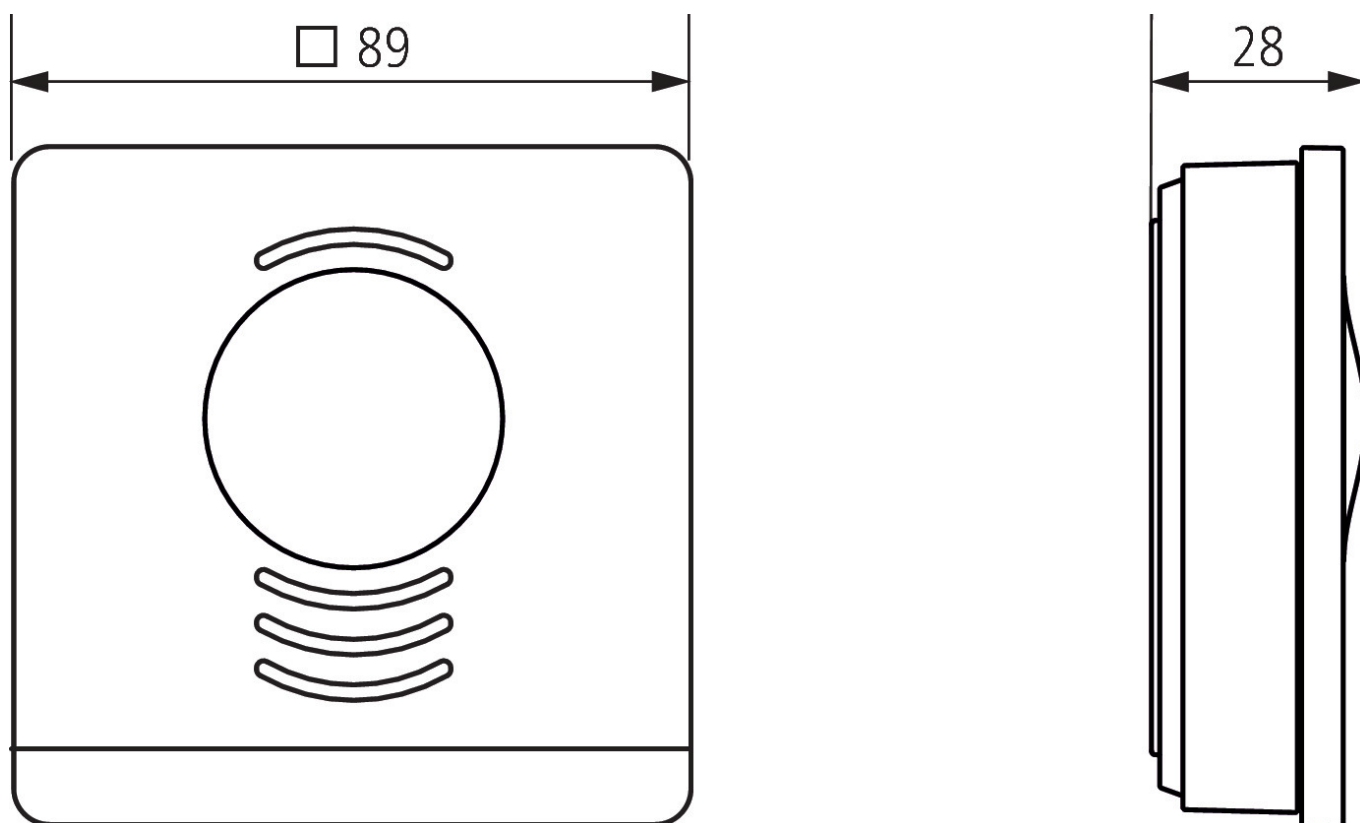
Item no.: 7189200



Connection example



Scale drawings



Subject to technical changes and misprints

additional information at: www.theben.de/product/7189200

The load data are determined with exemplary selected illuminants and are therefore typical data due to the large number of available products.

27/08/2022

Page 2 of 3

RAMSES 718 S KNX

Item no.: 7189200



Accessories

External temperature sensor 1

Item no.: 9070191



Temperature sensor

Item no.: 9070321



Temperature sensor RAMSES IP

65

Item no.: 9070459

